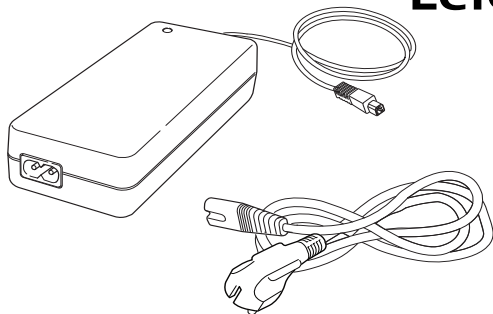
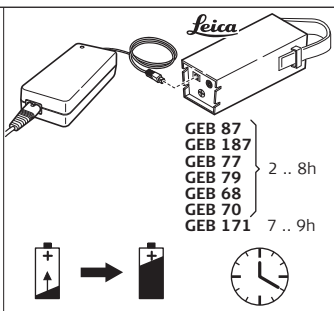
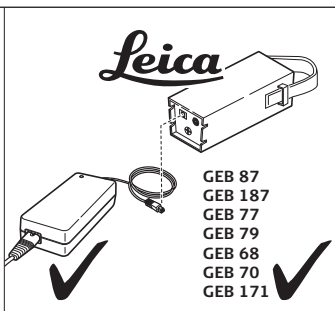
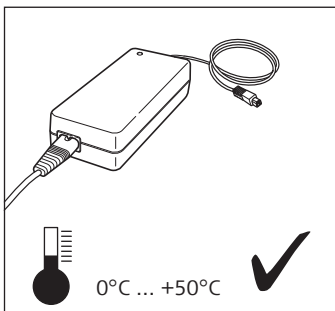
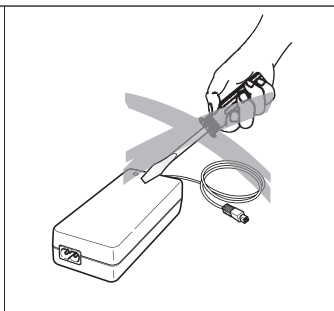
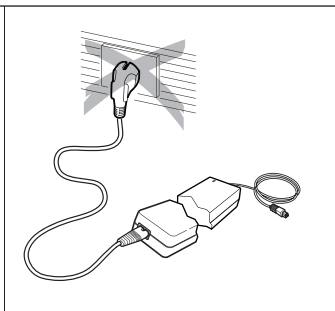
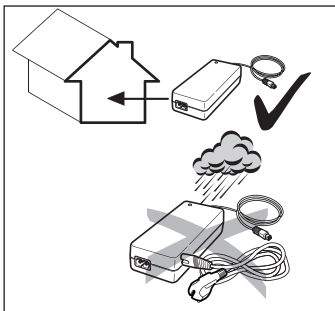
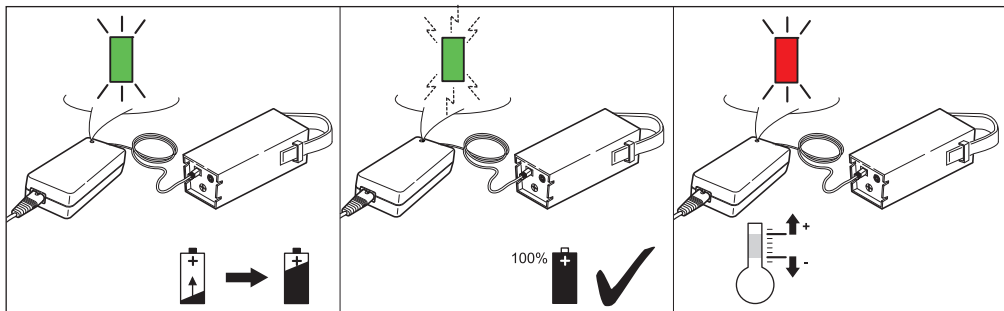
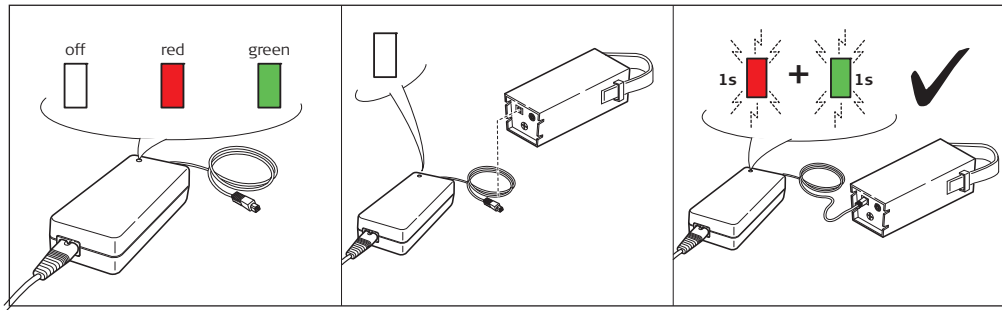


GKL32 Leica Battery Charger





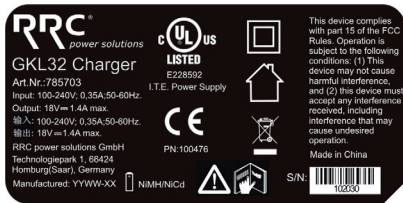
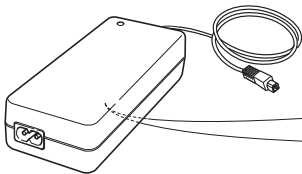


有毒有害物质或元素

中华人民共和国电子信息产品有毒有害物质限量标准
(依据 SJ/T11364-2006 为标准)

部件名称	有毒有害物质或元素					
	铅	汞	镉	六价铬	多溴联苯	多溴二苯醚
外壳	0	0	0	0	0	0
螺丝	0	0	0	0	0	0
主集成电路板	X	0	0	0	0	0
0: 表示该有毒有害物质在该部件所有均质材料中的含量均在 SJ/T11363-2006 标准规定的限量要求以下						
X: 表示该有毒有害物质至少在该部件的某一均质材料中的含量超出 SJ/T11363-2006 标准规定的限量要求						

Labelling



FCC Statement, Applicable in U.S.

Warning

This equipment has been tested and found to comply with the limits for a Class B digital device, pursuant to part 15 of the FCC rules.

These limits are designed to provide reasonable protection against harmful interference in a residential installation.

This equipment generates, uses and can radiate frequency energy and, if not installed and used in accordance with the instructions, may cause harmful interference to radio communications.

However, there is no guarantee that interference will not occur in a particular installation.

If this equipment does cause harmful interference to radio or television reception, which can be determined by turning the equipment off and on, the user is encouraged to try to correct the interference by one or more of the following measures:

- Reorient or relocate the receiving antenna.
- Increase the separation between the equipment and the receiver.

- Connect the equipment into an outlet on a circuit different from that to which the receiver is connected.
 - Consult the dealer or an experienced radio/TV technician for help.
-

Warning

Changes or modifications not expressly approved by RRC power solutions for compliance could void the user's authority to operate the equipment.

792436-1.0.0

Produced by:

RRC power solutions GmbH

Technologiepark 1
D-66424 Homburg/Saar
GERMANY

Produced for:

- when it has to be **right**

Leica
Geosystems